

butech

PORCELANOSA Grupo

pool-deck

Drainage system for terraces and swimming-pools

pool-deck

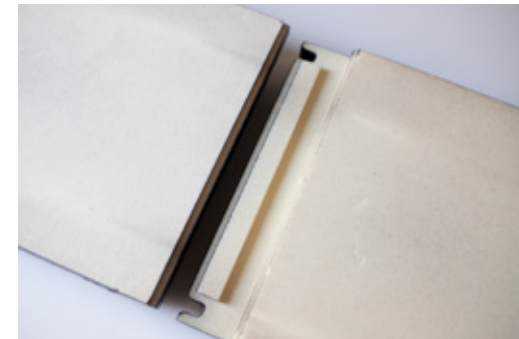
Currently there is no prefabricated drainage channel system for tiled pools. The building company designs it and executes it, improvising its design at all times, with the high cost and time which this process entails.

Butech develops solutions to meet the needs that the tile market demands, offering a complete solution to ease the designer obtaining a comprehensive aesthetic with absolute safety and guarantee of finish, easy maintenance, longevity and resistance to low temperatures (ice) and chemical resistance demanded by swimming pool applications.

Installation as simple as shower deck.



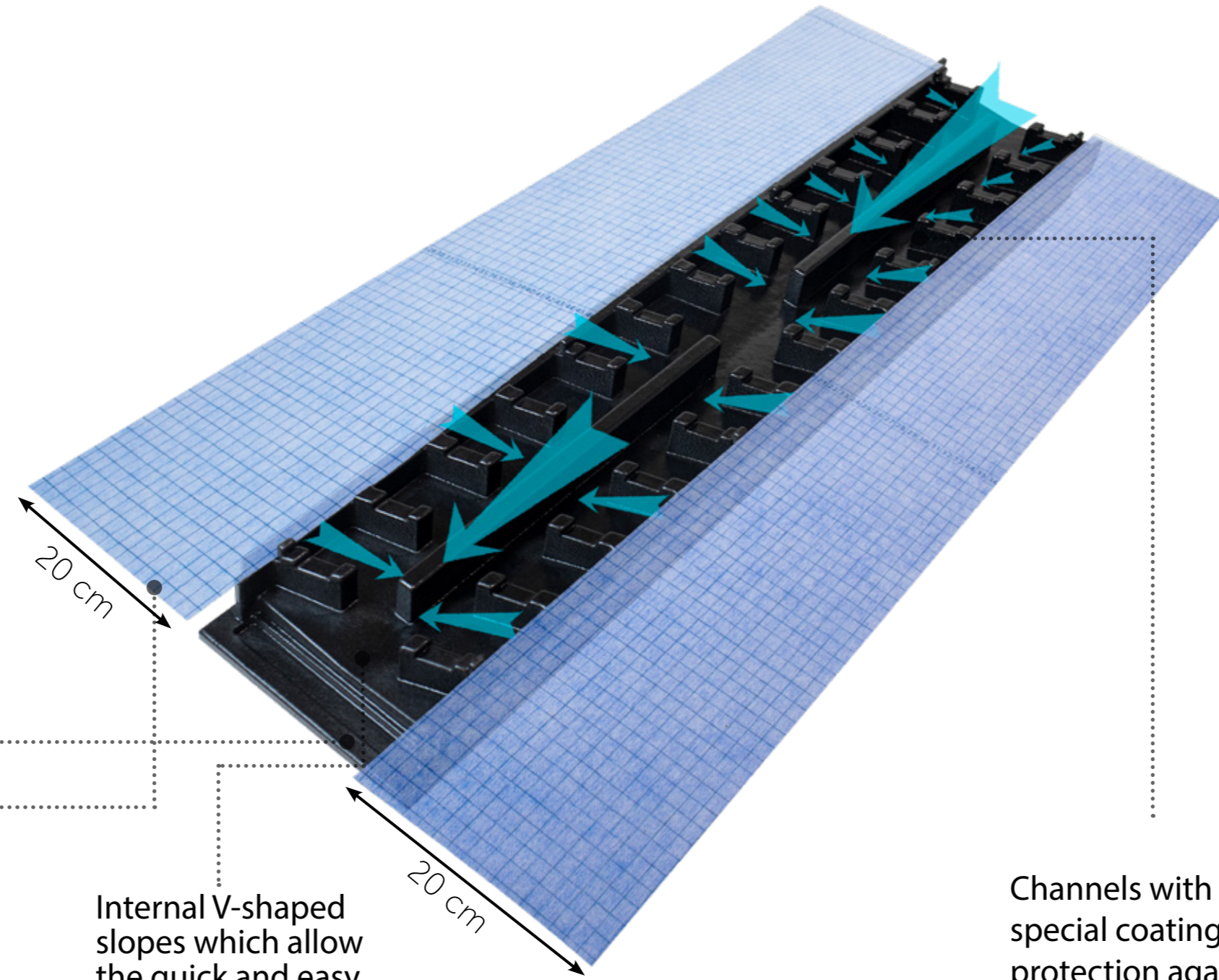
Advantages



Easy connection.
Perfect union
between joints.



Excellent connection
with the flooring
waterproofing
system through
imperband eaves.



Internal V-shaped
slopes which allow
the quick and easy
evacuation of the water.

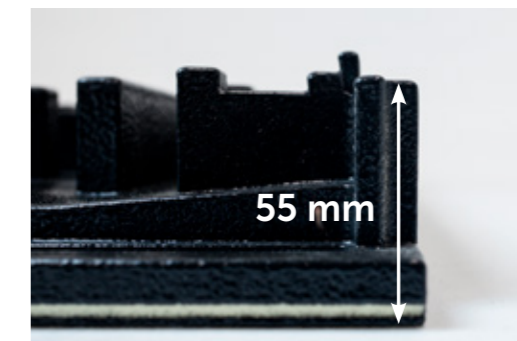
Channels with
special coating for
protection against
UV rays.



High performance
polyurethane finish.



Total sealing with
p-404



MINIMUM THICKNESS

CE MARKING
CE

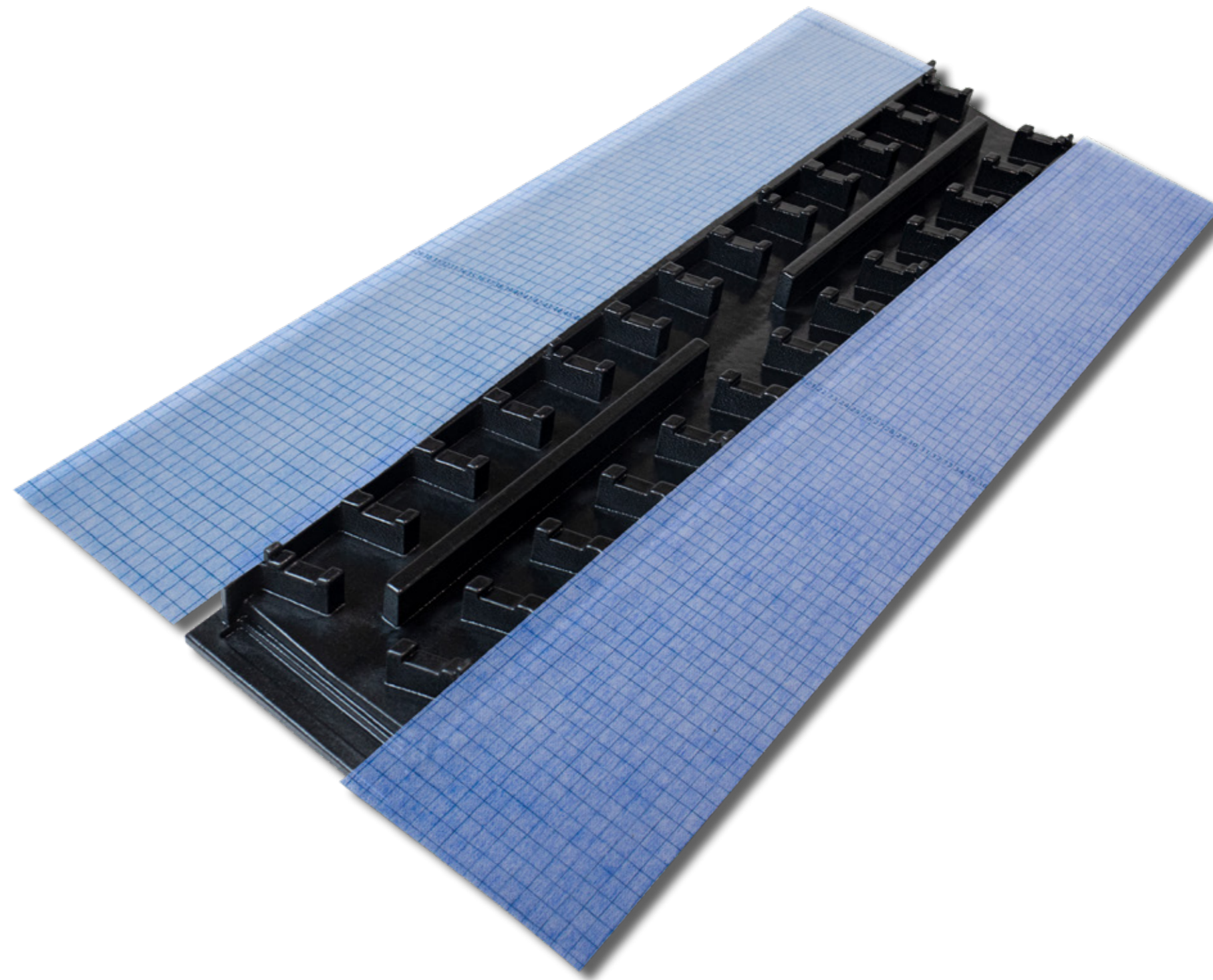
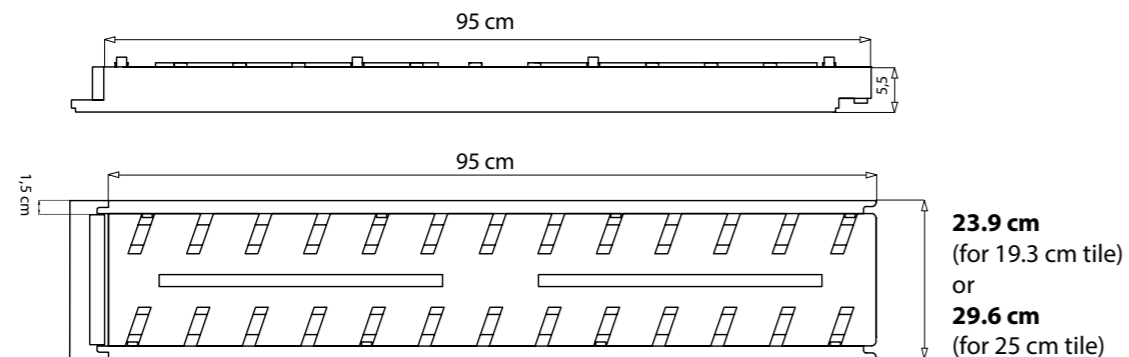
System Components

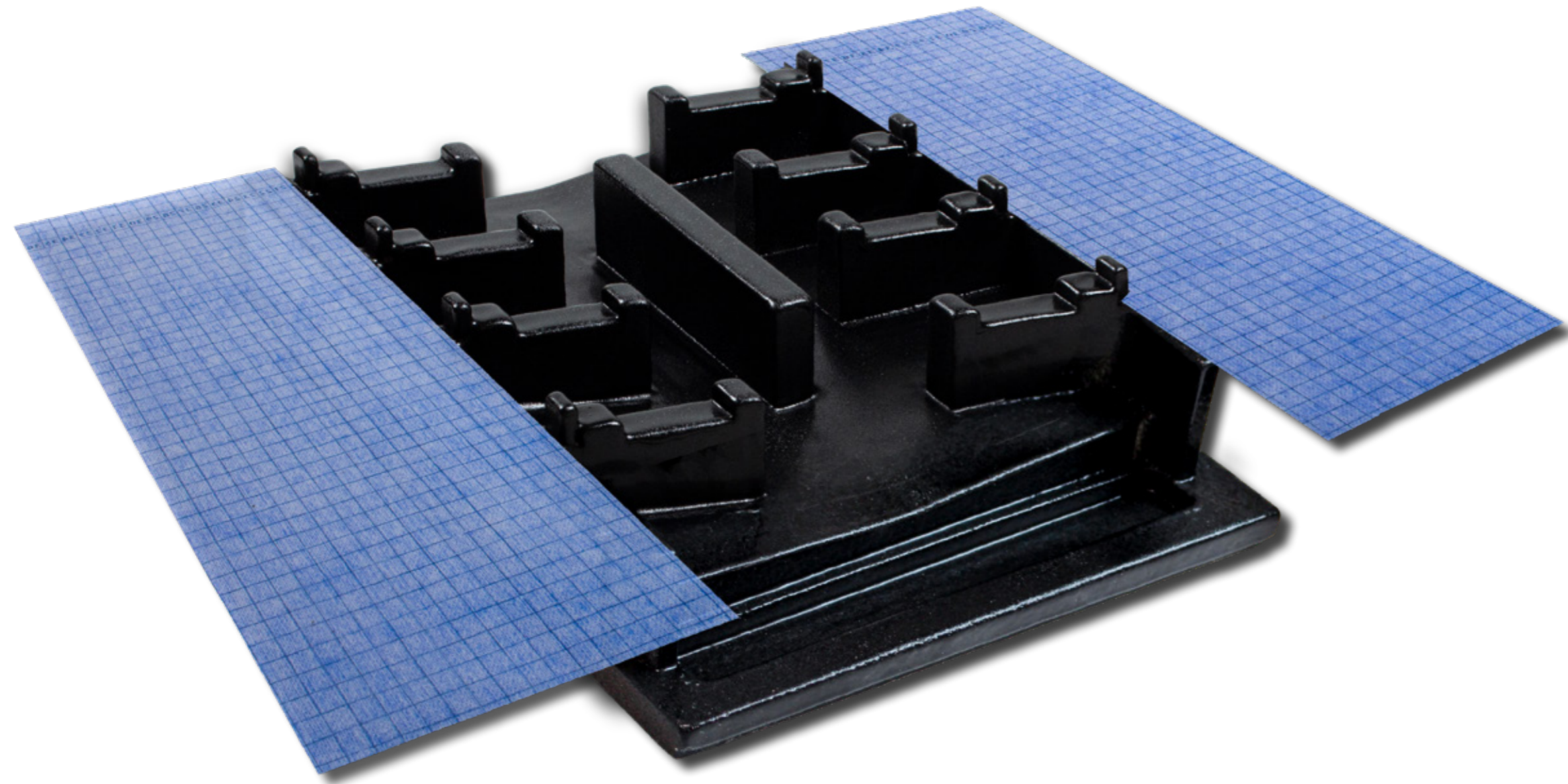
The system consists of a series of elements that, once connected, form a drainage channel for swimming pools and terraces, ready to be covered with tiles. All the parts of the **pool-deck** system are available for these tile widths:
193 mm and 250 mm.

pool-deck channel

95 cm long channel with internal V slope.

Includes: heat-sealed **imperband** waterproofing sheet on the eaves of the channel.

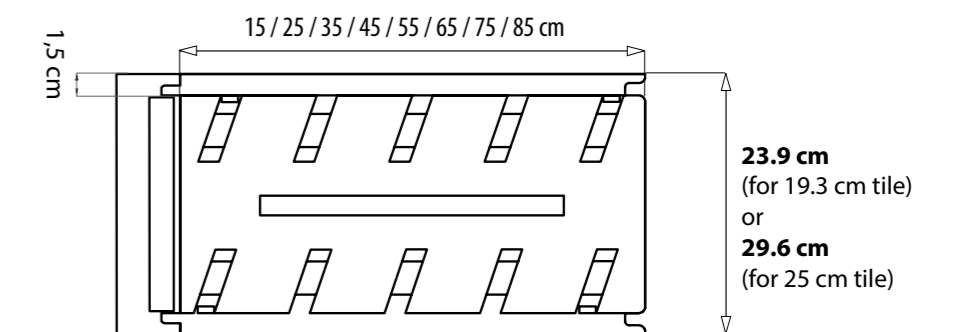
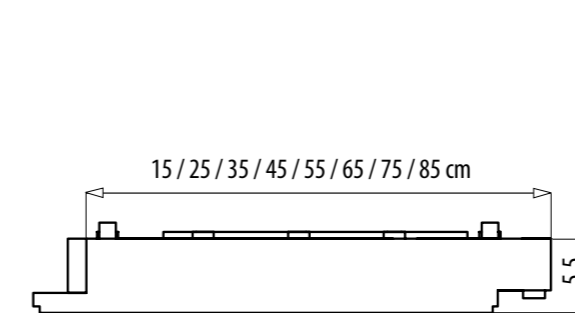




System Components

pool-deck adjustment channel

Adjusting piece of different lengths with internal V slope.
Includes: heat-sealed **imperband** waterproofing sheet on the eaves of the channel.
To complete the length required by the installation, these pieces will be available in the following sizes: 15, 25, 35, 45, 55, 65, 75 and 85cm.

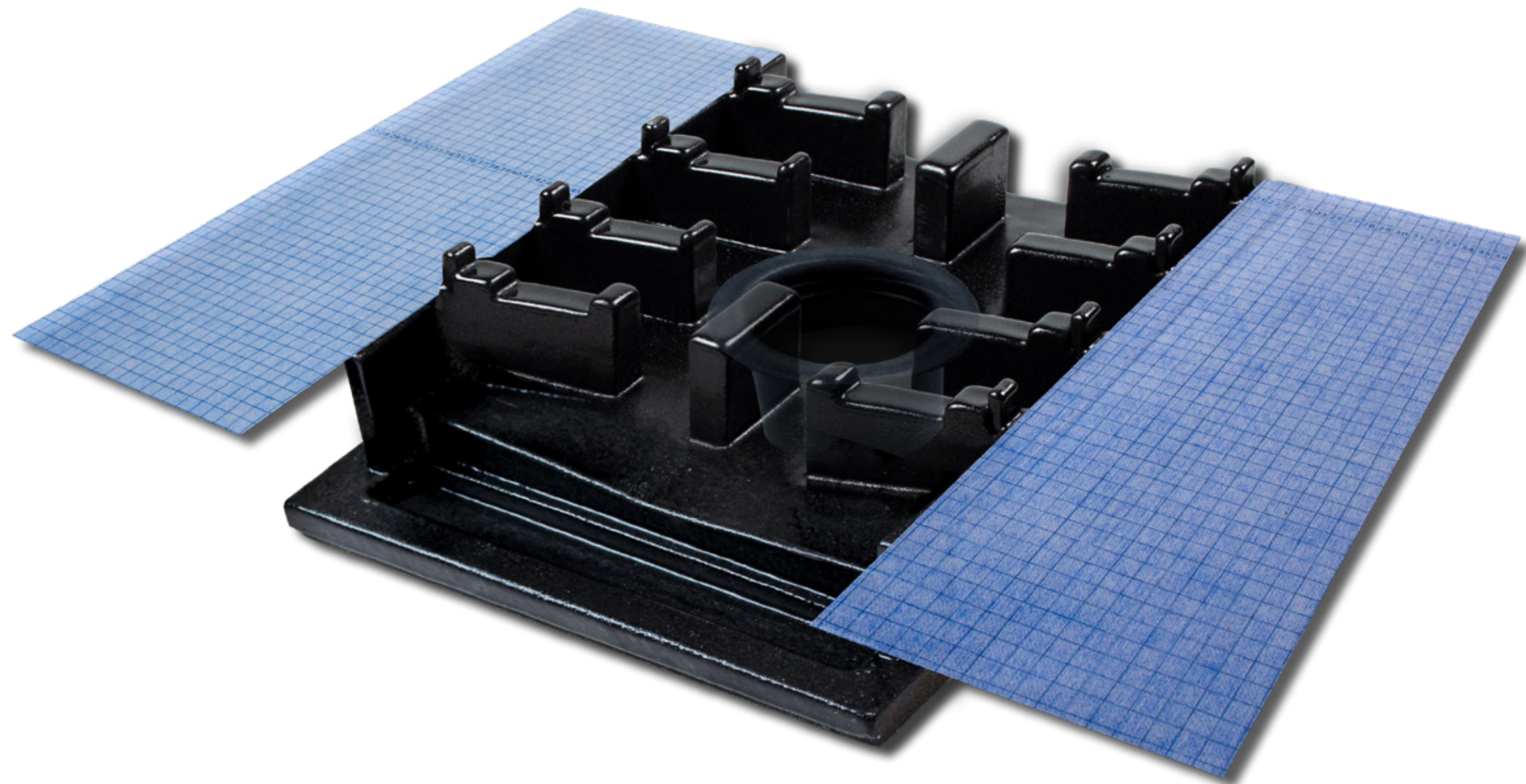
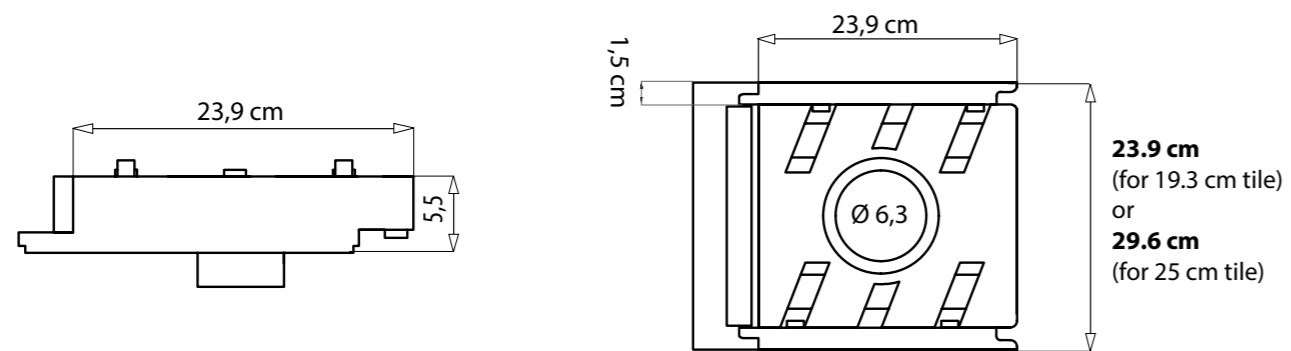


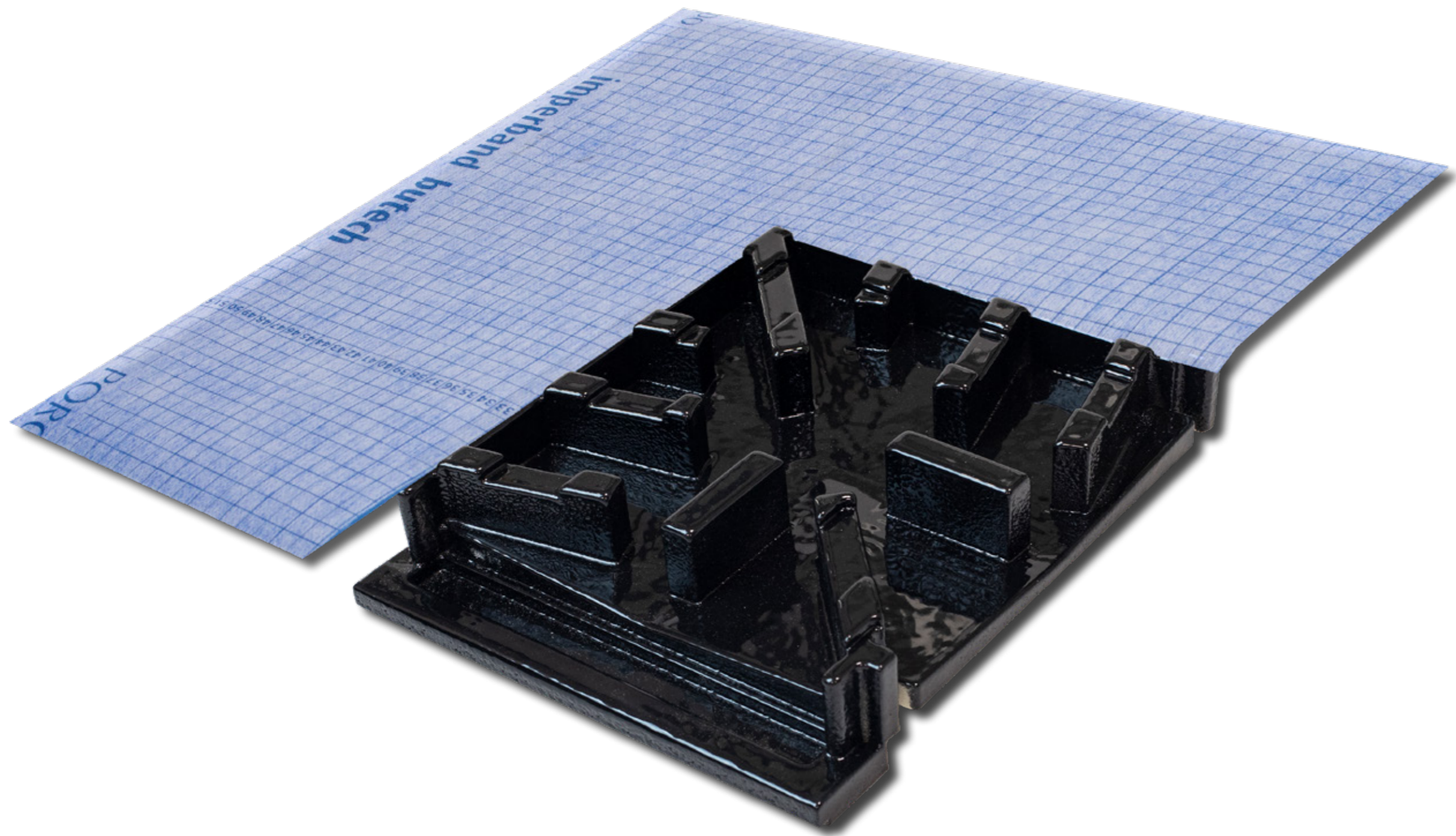
System Components

pool-deck drain

Drain piece with internal V slope.

Includes: heat-sealed **imperband** waterproofing sheet on the eaves of the channel and special drain that supports high pressures and withstand products commonly used in swimming pools.



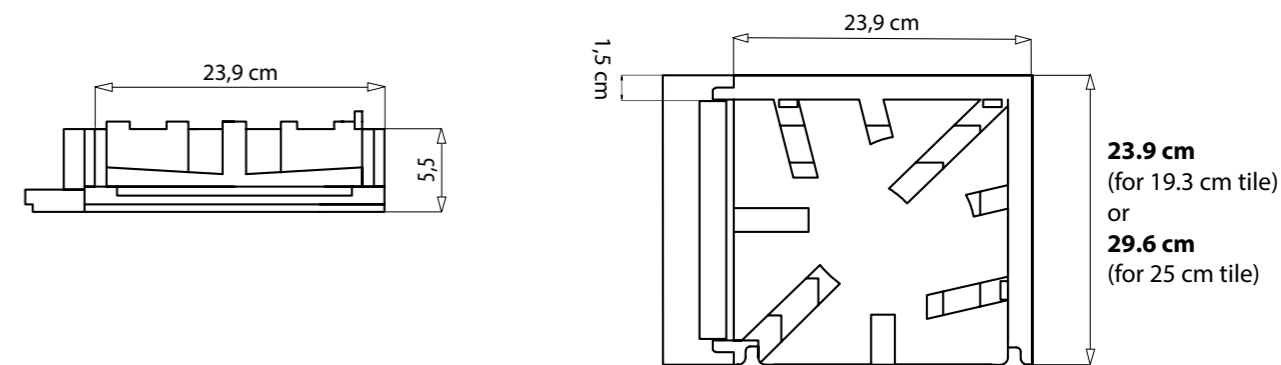


System Components

pool-deck corner

Corner piece with internal V slope.

Includes: heat-sealed **imperband** waterproofing sheet on the eaves of the channel.

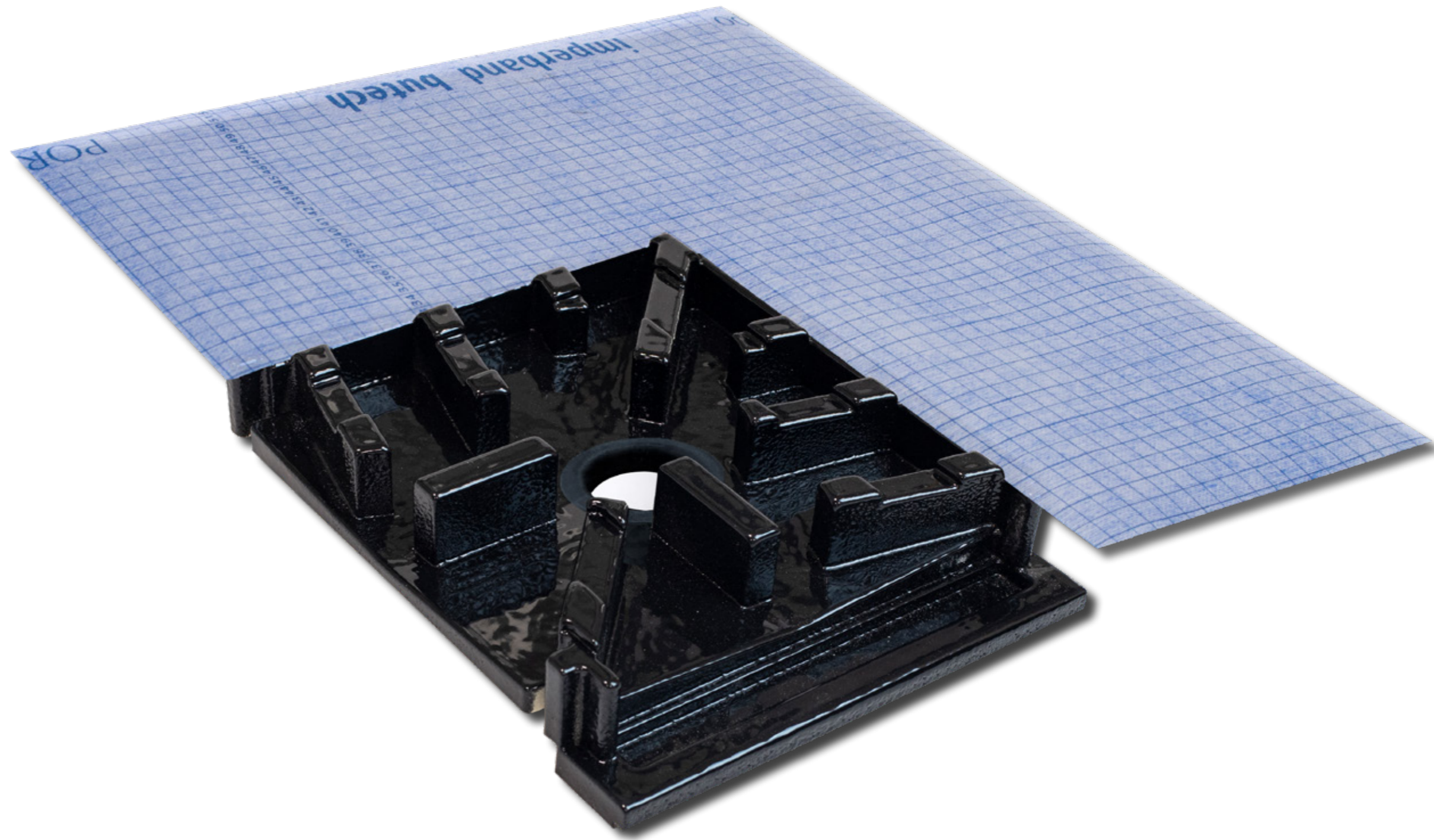
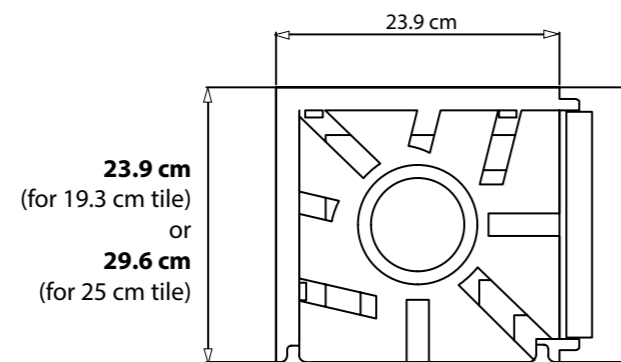
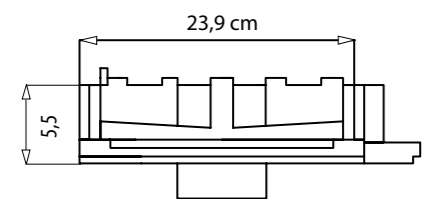


System Components

pool-deck corner drain int

Corner drain piece with internal V slope.

Includes: heat-sealed **imperband** waterproofing sheet on the eaves of the channel and special drain that supports high pressures and withstand products commonly used in swimming pools.

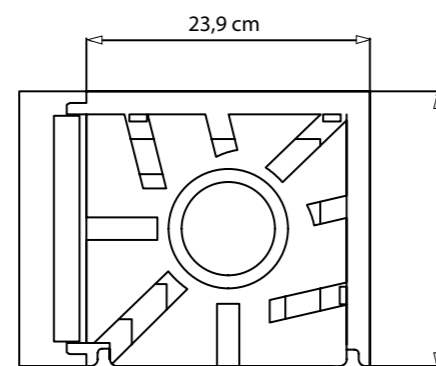
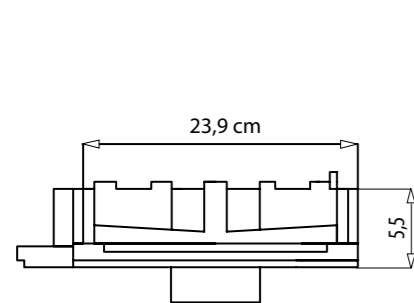
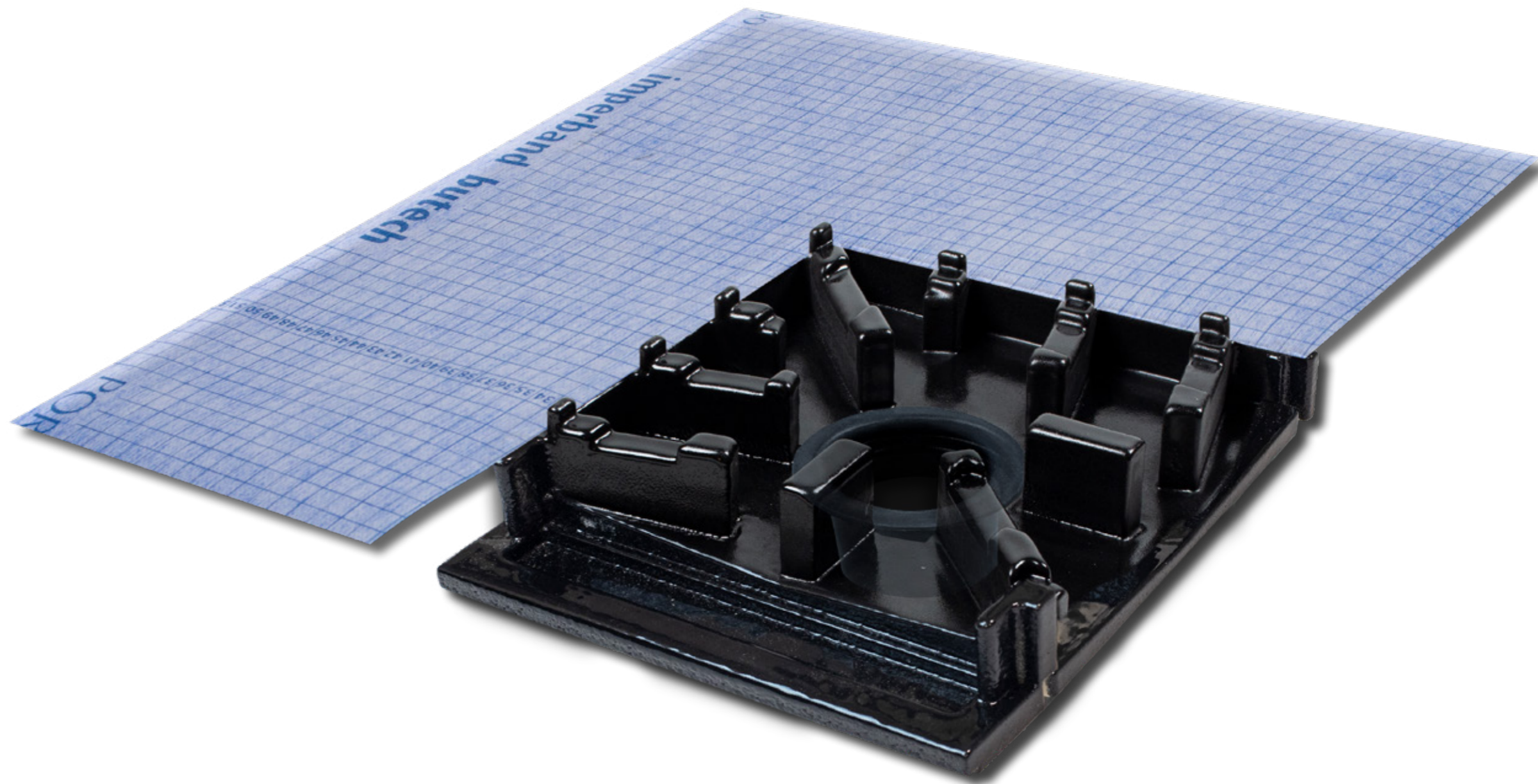


System Components

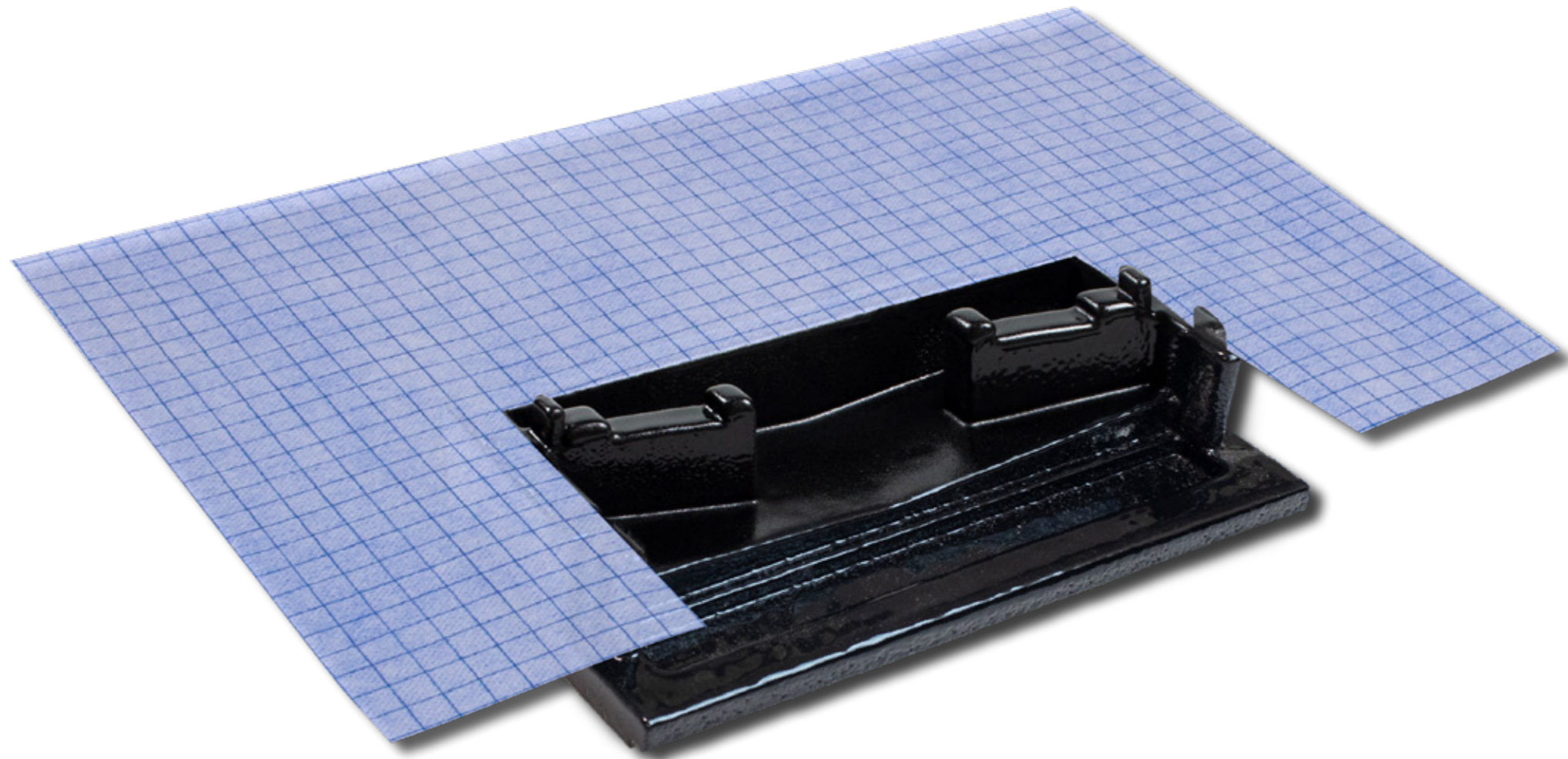
pool-deck corner drain ext

Corner drain piece with internal V slope.

Includes: heat-sealed **imperband** waterproofing sheet on the eaves of the channel and special drain that supports high pressures and withstand products commonly used in swimming pools.



23.9 cm
(for 19.3 cm tile)
or
29.6 cm
(for 25 cm tile)

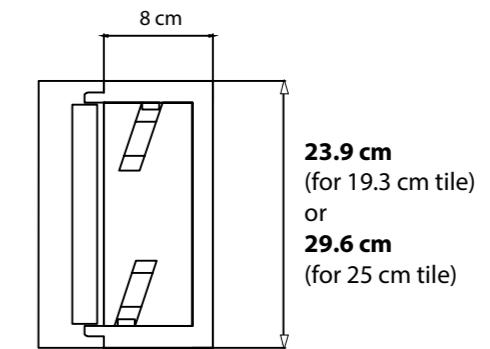
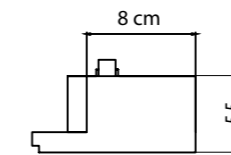


System Components

pool-deck side male

Channel start / end piece.

Includes: heat-sealed **imperband** waterproofing sheet on the eaves of the channel.

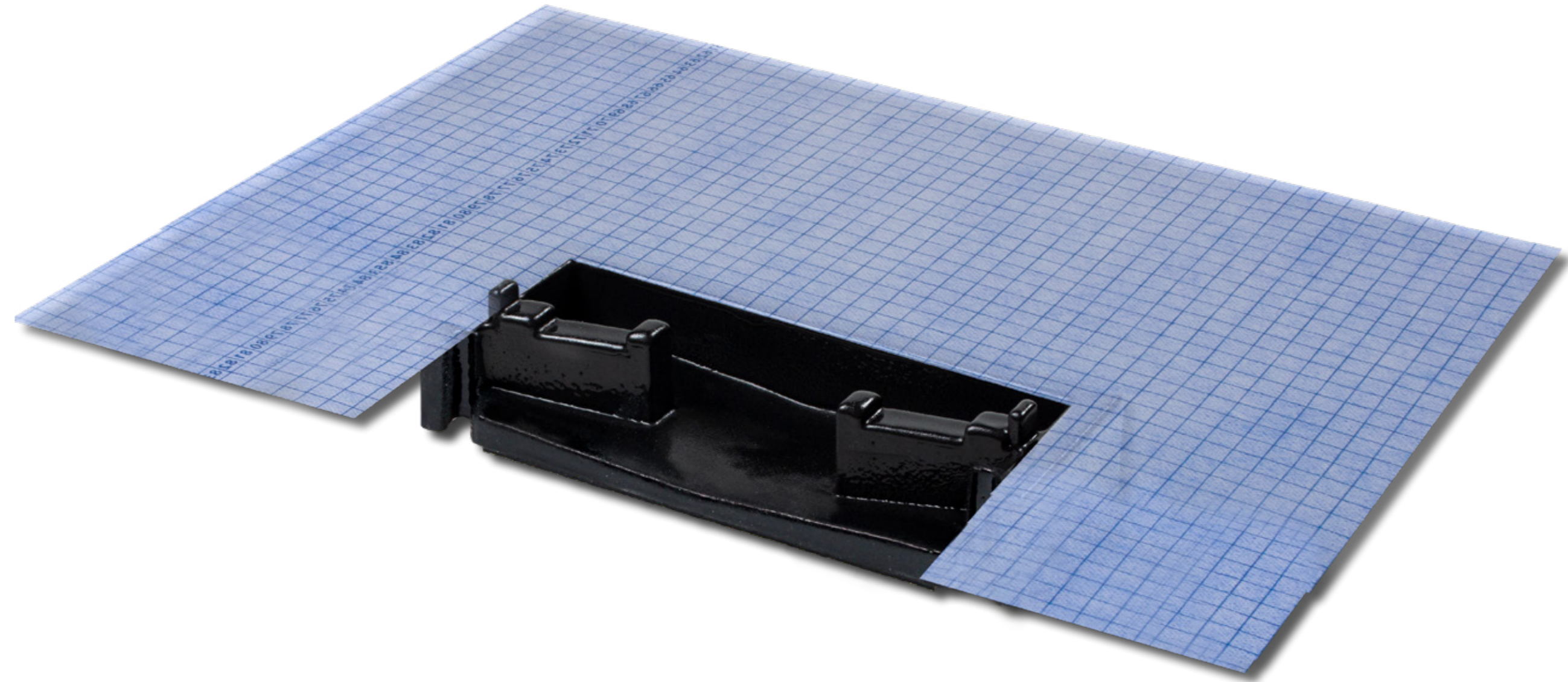
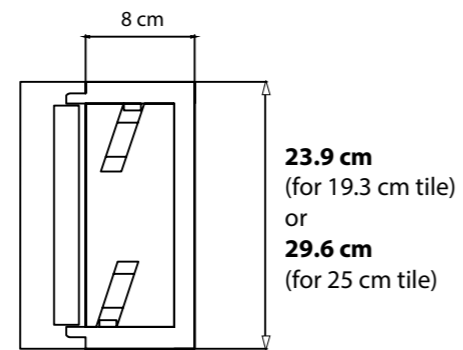
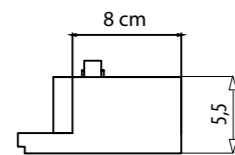


System Components

pool-deck side female

Channel start / end piece.

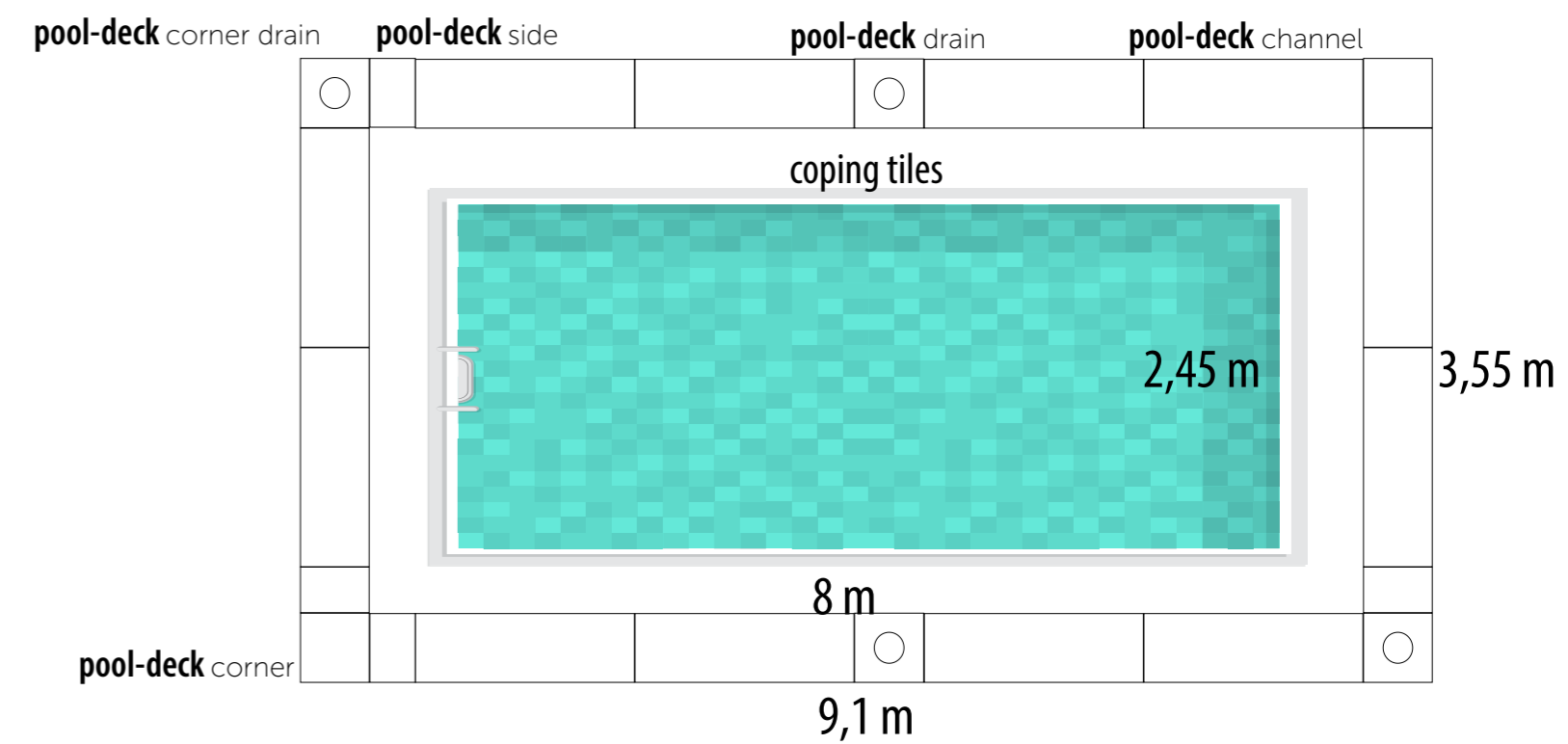
Includes: heat-sealed **imperband** waterproofing sheet on the eaves of the channel.



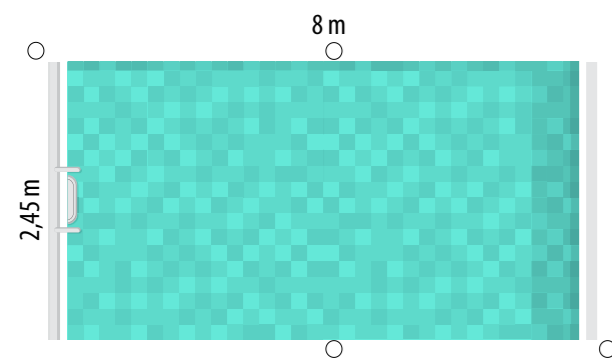


Layout schemes

Layout scheme for a 2.45m x 8m pool

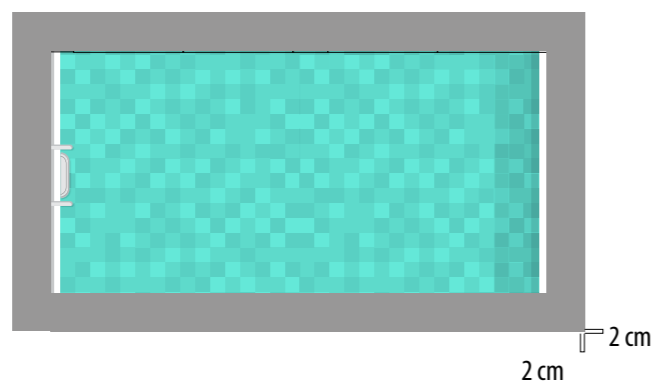


Assembly instructions



1 - Layout and calculation of components:

Provide butech with a dimensioned plan of the pool showing the position of the drain and the tile size that surrounds the pool.



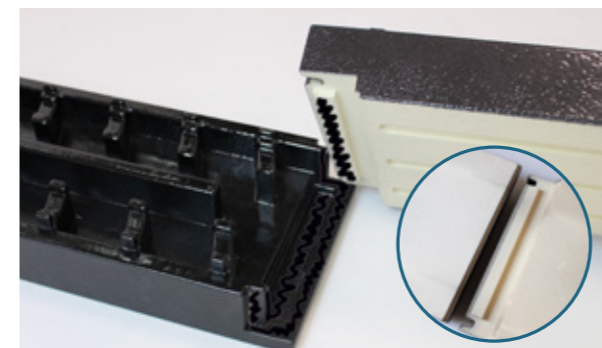
2 - Support preparations:

Make a recess in the support along the entire channel of 8 cm deep and 26 cm or 31.5 cm depending on the width of the **pool-deck channel**. Check that the slopes of the terrace are well made towards the **pool-deck** system



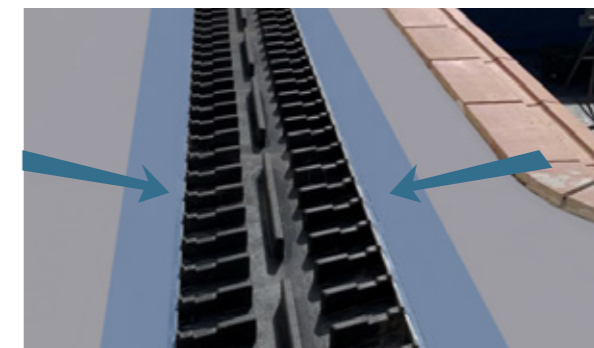
3 - Connection of the drainage system:

Connect the drain supplied to the drain pipe, place the piece of **pool-deck drain** or **pool-deck corner drain** on adhesive C2 S2 and stick with Butech **p-404**, both around of the joint between drain and **pool-deck piece** as in the drain itself.



4 - Assembling the channel components:

Connect the different channel pieces (tongue and groove) and a continuous thread of Butech **p-404**. Before laying, it is recommended to connect a maximum of 4 pieces.



5 - Channel placement:

Apply a layer of C2 S2 adhesive on the support, and place the previously connected system parts. Fill the gaps between the channel and the rest of the flooring base and check that the channel is flush with the surface of the terrace..



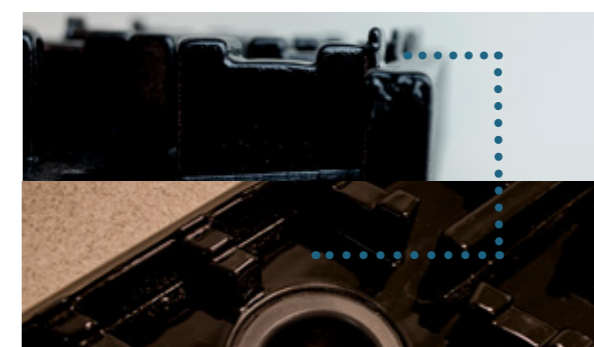
6 - Waterproofing the pool-deck channel:

Unfold the **imperband** eaves and glue them to the support with a C2 S2 adhesive. Overlap the adjoining eaves of **pool-deck** pieces to get the entire length of the channel waterproofed on both sides.



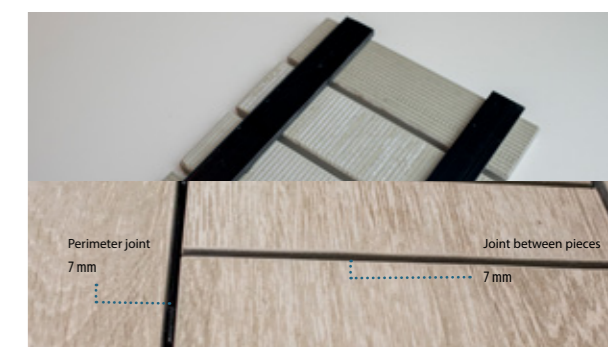
7 - Waterproofing the support:

Proceed to waterproof the terrace and overlap a minimum of 10 cm on the **imperband** eaves of **pool-deck**.



8 - Laying the floor tiles:

Install the floor tiles using the thin-layer and back-butter method, in such a way that the perimeter tiles of the channel extend over the **pool-deck** pieces up to the protruding stops on the sides of each piece.



9 - Channel covering:

Cut the tile pieces according to the channel design and stick with Butech **p-404** to the PVC supports. These PVC supports have to fit perfectly in the two grooves of each piece of **pool-deck**. Always leave a 7 mm joint between each tile piece.

Item codes

PAR-KER 19,3 x 120 cm - 19,3 x 180 cm

SAP	Description	Dimensions (cm)*
100284673	POOL-DECK CHANNEL	19,3 x 95
100284644	POOL-DECK ADJUSTMENT CHANNEL	19,3 x 15
100284664	POOL-DECK ADJUSTMENT CHANNEL	19,3 x 25
100284674	POOL-DECK ADJUSTMENT CHANNEL	19,3 x 35
100284675	POOL-DECK ADJUSTMENT CHANNEL	19,3 x 45
100284646	POOL-DECK ADJUSTMENT CHANNEL	19,3 x 55
100284653	POOL-DECK ADJUSTMENT CHANNEL	19,3 x 65
100284676	POOL-DECK ADJUSTMENT CHANNEL	19,3 x 75
100284638	POOL-DECK ADJUSTMENT CHANNEL	19,3 x 85
100284637	POOL-DECK DRAIN	19,3 x 23,9
100284663	POOL-DECK CORNER	19,3 x 21,7
100284670	POOL-DECK CORNER DRAIN	19,3 x 21,7
100320040	POOL-DECK CORNER DRAIN INT	19,3 x 21,7
100284654	POOL-DECK SIDE MALE	19,3 x 6,5
100289037	POOL-DECK SIDE FEMALE	19,3 x 6,5

PAR-KER 25 x 150 cm

SAP	Description	Dimensions (cm)*
100284628	POOL-DECK CHANNEL	25 x 95
100284678	POOL-DECK ADJUSTMENT CHANNEL	25 x 15
100284682	POOL-DECK ADJUSTMENT CHANNEL	25 x 25
100284683	POOL-DECK ADJUSTMENT CHANNEL	25 x 35
100284684	POOL-DECK ADJUSTMENT CHANNEL	25 x 45
100284667	POOL-DECK ADJUSTMENT CHANNEL	25 x 55
100284648	POOL-DECK ADJUSTMENT CHANNEL	25 x 65
100284668	POOL-DECK ADJUSTMENT CHANNEL	25 x 75
100284669	POOL-DECK ADJUSTMENT CHANNEL	25 x 85
100284681	POOL-DECK DRAIN	25 x 29,6
100284665	POOL-DECK CORNER	25 x 27,4
100284680	POOL-DECK CORNER DRAIN	25 x 27,4
100320031	POOL-DECK CORNER DRAIN INT	25 x 27,4
100284685	POOL-DECK SIDE MALE	25 x 6,5
100289060	POOL-DECK SIDE FEMALE	25 x 6,5

* The sizes 19.3 and 25 cm refer to the tile width which can be used in this type of piece.



BY APPOINTMENT TO
H.R.H. THE PRINCE OF WALES
MANUFACTURER AND DISTRIBUTOR
OF CERAMIC TILES AND BUILDING PRODUCTS.
PORCELANOSA GROUP LIMITED

PORCELANOSA Grupo

butech building technology, S.A.U.

Ctra. Vila-real - Puebla de Arenoso (CV-20), Km. 2.5 · Apartado de Correos 297 · 12540 Vila-real, Castellón - Spain.
Teléfono (+34) 964 53 62 00 · Fax: (+34) 964 53 00 34 · E-mail: butech@butech.es · www.butech.net